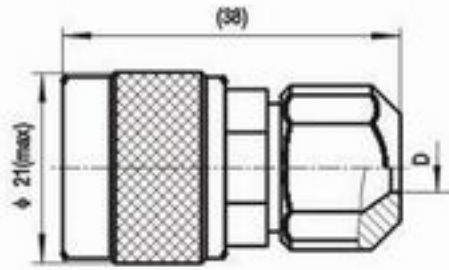


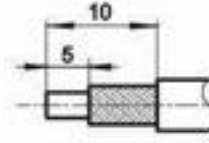
# N

## 系列射频同轴连接器 SERIES N COAXIAL CONNECTORS

# SRT

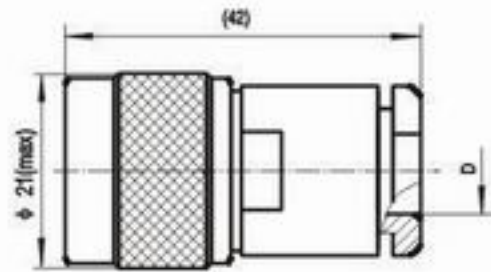
 升瑞科技  
SUNRISE-TECH

电缆剥线尺寸  
Cable stripping dimensions

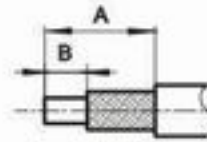


TYPE	D	Cable TYPE	TYPE	D	Cable TYPE
N-J3A	Φ3	SYV-50-2-1	N-J9A	Φ12.8	SYV-50-3
		SFF-50-15-1	N-J12A	Φ5.2	SYV-75-3
N-J4A	Φ4.2	SYV-50-2-2	N-J13A	Φ7.3	SYV-75-5-12
		SFF-50-2-2	N-J15A	Φ10.5	SYV-75-7
N-J5A	Φ5.2	SYV-50-3	N-J16A	Φ12.8	SYV-75-8
N-J6A	Φ10.0	SYV-50-5	N-J21A	Φ6.8	RG4
N-J6A-1	Φ6.4	SFF-50-5	N-J27A	Φ7.3	SYV-50-5-1
N-J7A	Φ10.5	SYV-50-7-1	N-J28A	Φ8.1	SYV-50-5-2
N-J8A	Φ11.5	SYV-50-7-2	N-J301A	Φ6.7	SFF-50-2

N-J3A等

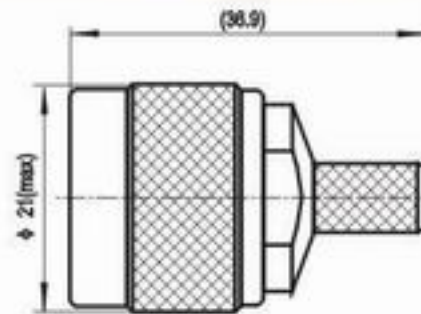


电缆剥线尺寸  
Cable stripping dimensions

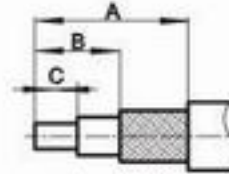


TYPE	D	A	B	Cable TYPE
N-J4	Φ4.2	10	5	SYV-50-2-2
				SFF-50-2-2
N-J5	Φ5.2	10	5	SYV-50-3
N-J6	Φ10.0	10	5	SYV-50-5
N-J7	Φ10.5	10	5	SYV-50-7-1
N-J8	Φ11.5	10	5	SYV-50-7-2
N-J12	Φ5.2	10	5	SYV-75-3
N-J27	Φ7.3	10	5	SYV-50-5-1
N-J28	Φ8.1	10	5	SYV-50-5-2

N-J4等

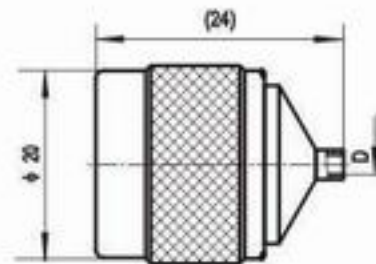


电缆剥线尺寸  
Cable stripping dimensions

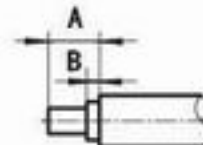


TYPE	A	B	C	Cable TYPE
N-J3Y	20	10	5	SFF-50-3-1
N-J4Y	20	10	5	SYV-50-2-2
				SFF-50-2-2
N-J5Y	20	10	5	SYV-50-3
N-J7Y	20	10	5	SYV-50-7-1
N-J8Y	20	10	5	SYV-50-7-2
N-J27Y	20	10	5	SYV-50-5-1
N-J28Y	20	10	5	SYV-50-5-2
N-JaY	20	10	5	SUV-50-3-5

N-J3Y等

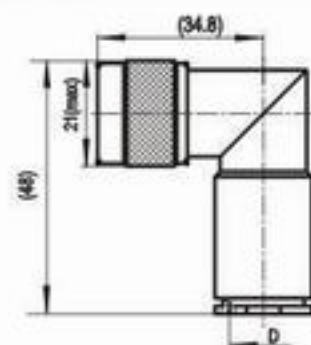


电缆剥线尺寸  
Cable stripping dimensions

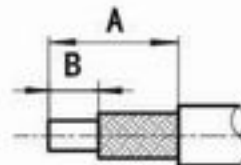


TYPE	D	A	B	Cable TYPE
N-JB2	Φ2.2	4	1	SFF-50-2-1
N-JB3	Φ3.6	2.5	0	SFF-50-3-1
N-JB5	Φ6.1	5	0	SFF-50-5-2
N-JB401	Φ6.5	4.5	0	RG401

N-JB2等



电缆剥线尺寸  
Cable stripping dimensions



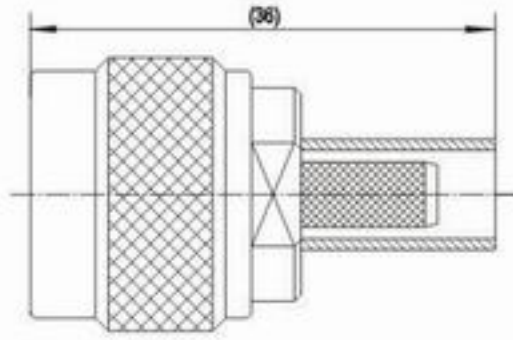
TYPE	D	A	B	Cable TYPE
N-JW5	Φ5.2	15	5	SYV-50-3
N-JW7	Φ10.5	15	5	SYV-50-7-1

N-JW5等

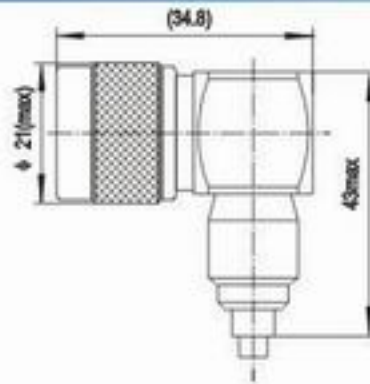
# N

系列射频同轴连接器  
SERIES N COAXIAL CONNECTORS

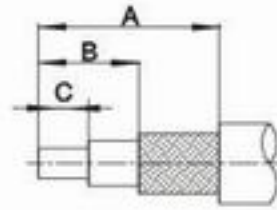
SRT 升瑞科技  
SUNRISE-TECH



N-JRG59Y

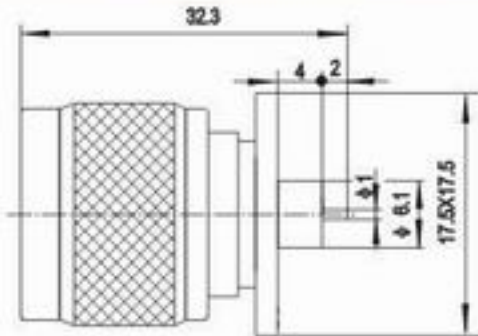


电缆剥线尺寸  
Cable stripping dimensions

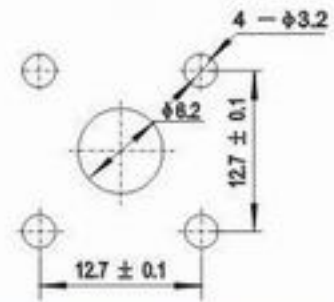


TYPE	A	B	C	Cable TYPE
N-JW4Y	20	10	5	SYV-50-2-2 SFF-50-2-2
N-JW5Y	20	10	5	SYV-50-3
N-JW27Y	20	10	5	SYV-50-5-1
N-JW28Y	20	10	5	SYV-50-5-2

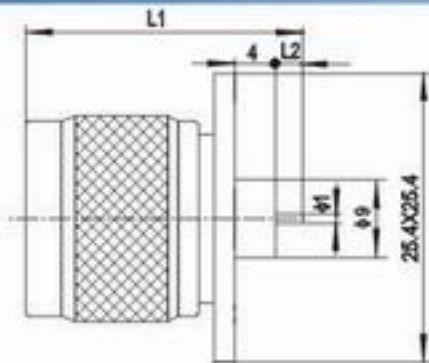
N-JW4Y等



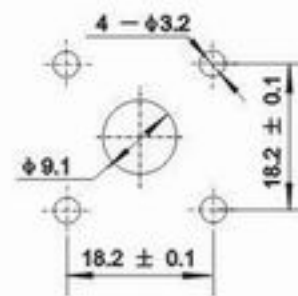
安装开孔尺寸  
Mounting hole



N-50JFD

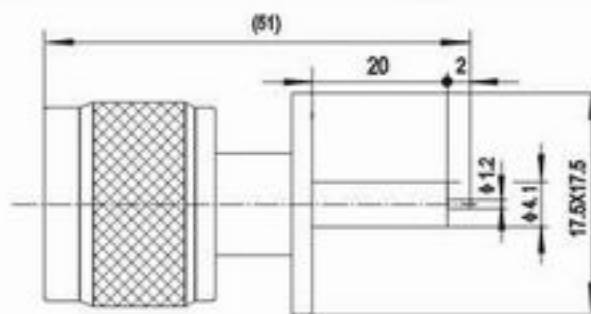


安装开孔尺寸  
Mounting hole

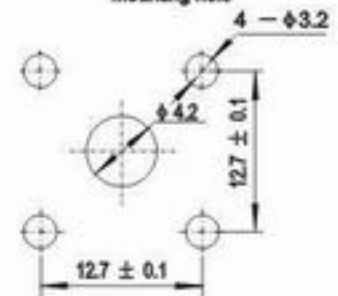


Type	L1	L2
N-50JFD1	28.2	1.8
N-50JFD2	29.9	5.5

N-50JFD1等



安装开孔尺寸  
Mounting hole



N-50JFD3

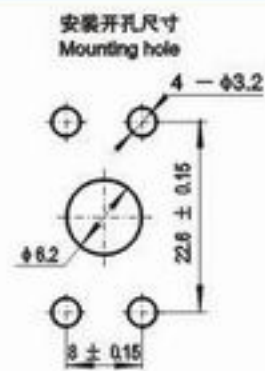
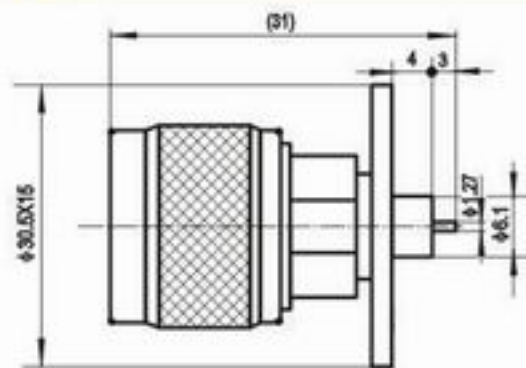
# N

系列射频同轴连接器  
SERIES N COAXIAL CONNECTORS

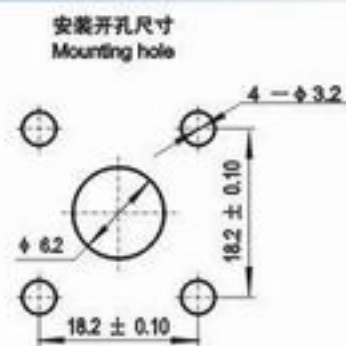
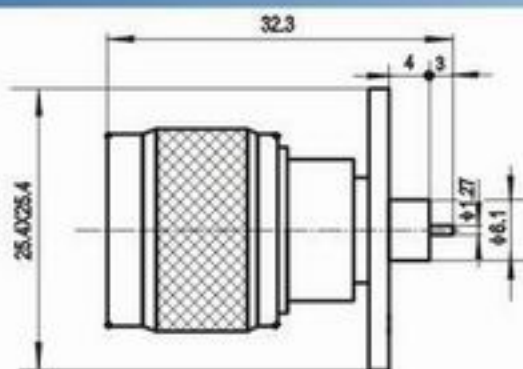
# SRT

 升瑞科技  
SUNRISE-TECH

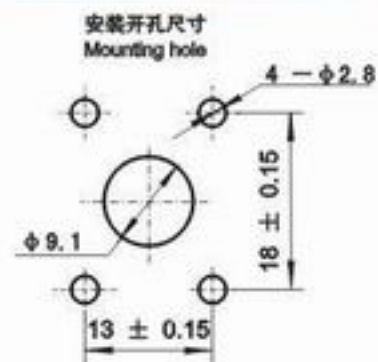
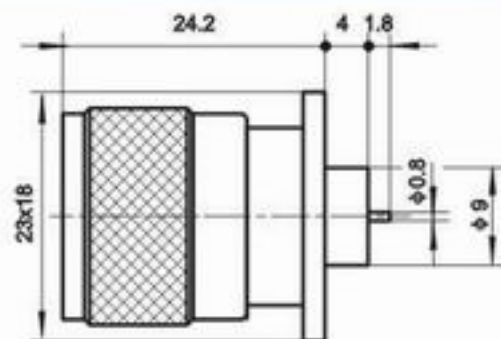
N-50JFD4



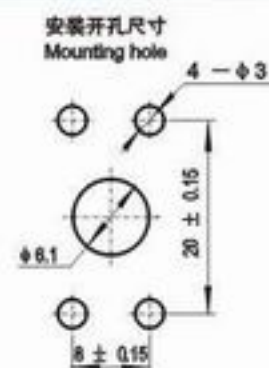
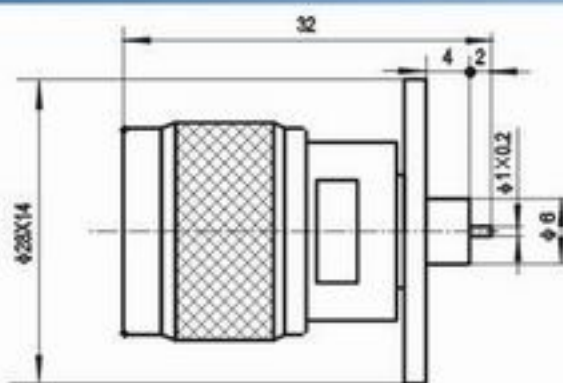
N-50JFD5



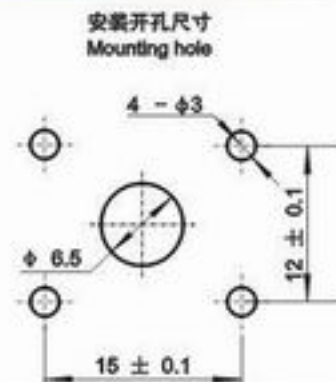
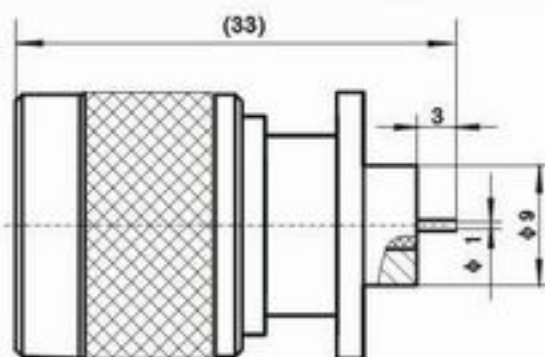
N-50JFD6



N-50JFD7



N-JF1



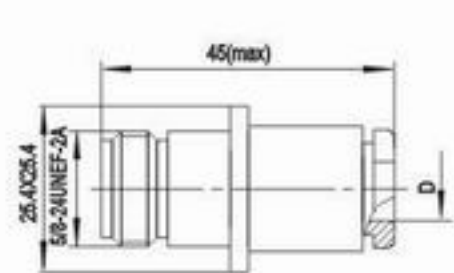
# N

## 系列射频同轴连接器 SERIES N COAXIAL CONNECTORS

# SRT 升瑞科技 SUNRISE-TECH



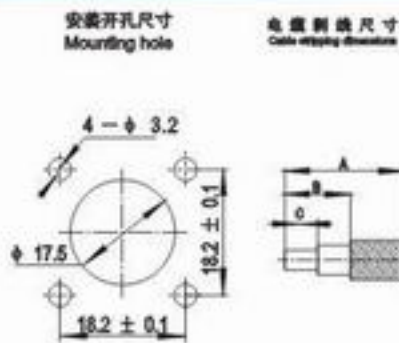
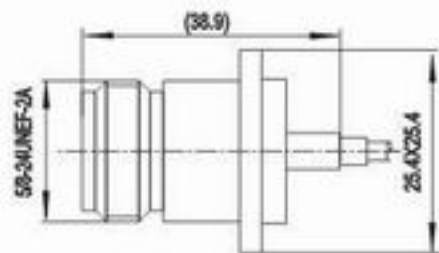
N-KF4等



TYPE	D	d	Cable TYPE
N-KF4	φ4.2	φ17.5	SYV-50-3-2 SFF-50-3-2
N-KF5	φ6.2	φ19.5	SYV-50-3
N-KF6	φ10.0	φ19.5	SYV-50-5
N-KF7	φ10.5	φ19.5	SYV-50-7-1
N-KF8	φ11.5	φ19.5	SYV-50-7-2
N-KF12	φ6.2	φ17.5	SYV-75-3
N-KF27	φ7.3	φ19.5	SYV-50-5-1
N-KF28	φ8.1	φ19.5	SYV-50-5-2
N-KF302	φ8.3		SUJ-50-5-5



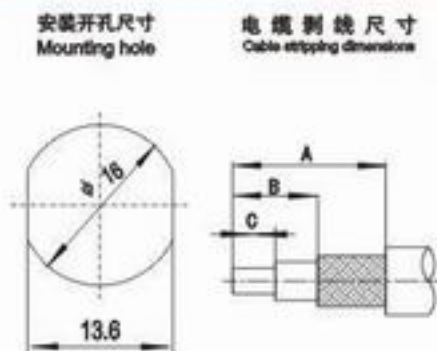
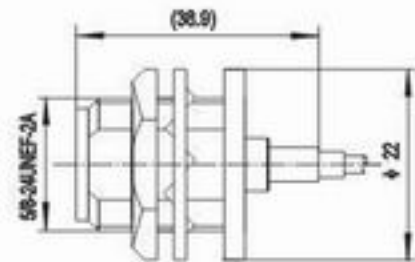
N-KF3Y等



TYPE	A	B	C	Cable TYPE
N-KF3Y	20	10	5	SYV-50-2-1
N-KF4Y	20	10	5	SYV-50-2-2 SFF-50-2-2
N-KF5Y	20	10	5	SYV-50-3
N-KF12Y	20	10	5	SYV-75-3
N-KF27Y	20	10	5	SYV-50-5-1



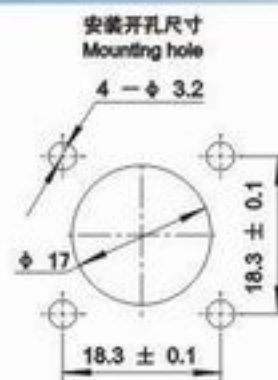
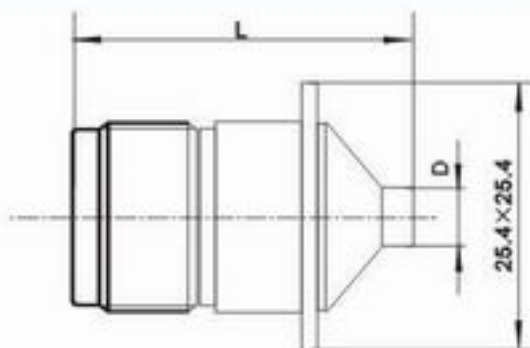
N-KY3Y等



TYPE	A	B	C	Cable TYPE
N-KY3Y	20	10	5	SYV-50-2-1
N-KY4Y	20	10	5	SYV-50-2-2 SFF-50-2-2
N-KY5Y	20	10	5	SYV-50-3
N-KY7Y	20	10	5	SYV-50-7-1
N-KY8Y	20	10	5	SYV-50-7-2



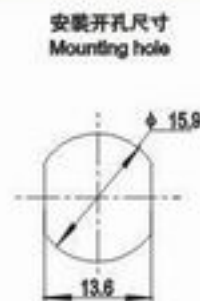
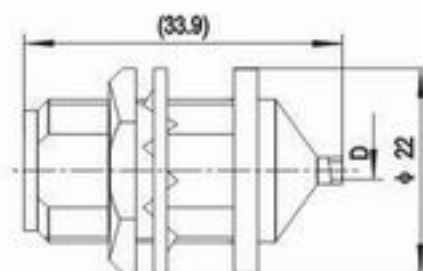
N-KFB2等



TYPE	L	D	Cable TYPE
N-KFB2	24	φ 2.2	SFT-50-2-51
N-KFB3	24	φ 3.6	SFT-50-3-51
N-KFB5	30	φ 6.1	SFT-50-5-51



N-KYB2等



电缆剥线尺寸  
Cable stripping dimension



TYPE	D	A	Cable TYPE
N-KYB2	φ2.2	5	SFT-50-2-1
N-KYB3	φ3.6	4	SFT-50-3-1

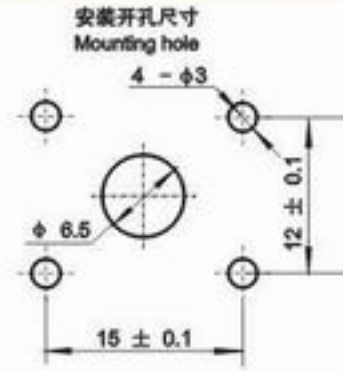
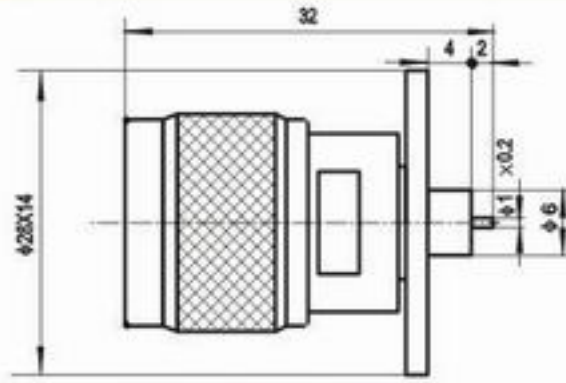
# N

系列射频同轴连接器  
SERIES N COAXIAL CONNECTORS

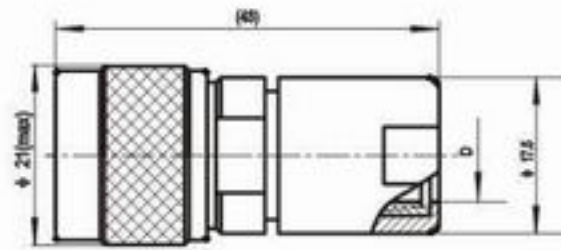
# SRT

 升瑞科技  
SUNRISE-TECH

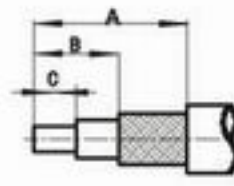
N-JFD7



N-J303A等



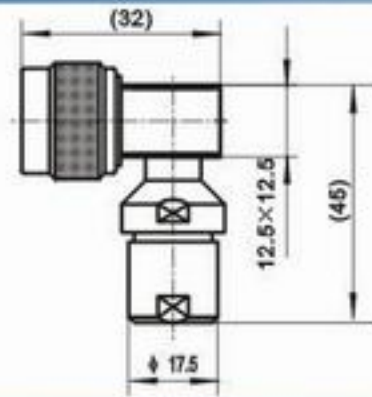
电缆剥线尺寸  
Cable stripping dimensions



TYPE	D	A	B	C	Cable TYPE
N-J301	Φ5.5	14	11	8	SUJ-50-3-5
N-J302	Φ7.7	14	11	8	SUJ-50-5-5
N-J302G	Φ7.7	14	11	8	SUJ-50-5-5
N-J303A	Φ11.2	14	11	8	SUJ-50-7-5
N-J303AG	Φ11.2	14	11	8	SUJ-50-7-5



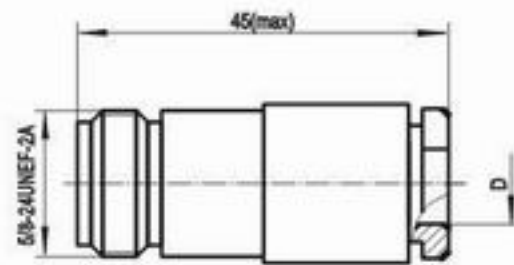
N-JW303A



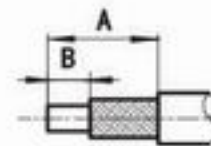
TYPE	Cable TYPE
N-JW303A	SUJ-50-7-5



N-K4等



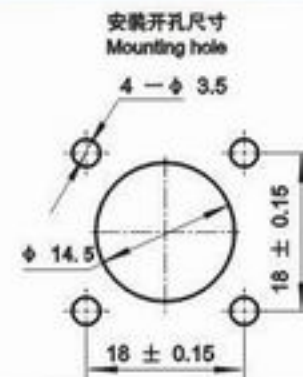
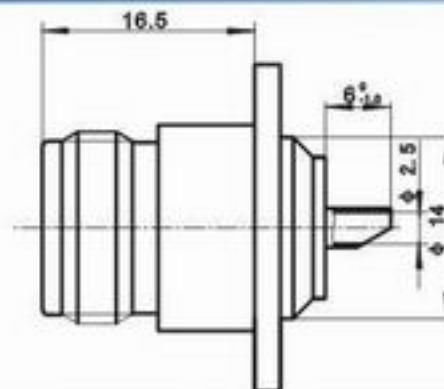
电缆剥线尺寸  
Cable stripping dimensions



TYPE	D	A	B	Cable TYPE
N-K4	Φ4.2	10	5	SYV-50-2-2 SFF-50-2-2
N-K5	Φ5.2	10	5	SYV-50-3
N-K6	Φ10.0	10	5	SYV-50-5
N-K7	Φ10.5	10	5	SYV-50-7-1
N-K28	Φ8.1	10	5	SYV-50-5-2
N-K8	Φ11.5	10	5	SYV-50-7-2



N-50KF



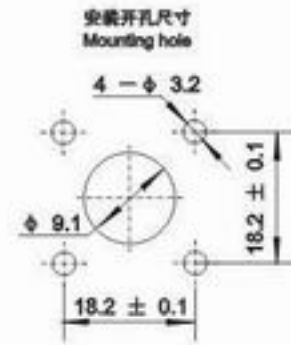
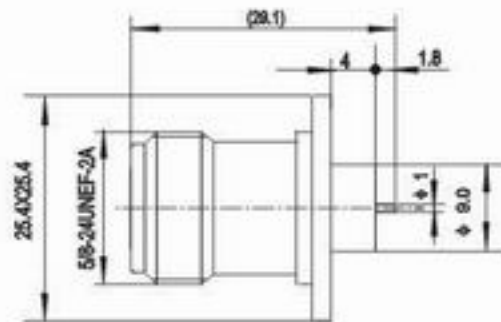
# N

系列射频同轴连接器  
SERIES N COAXIAL CONNECTORS

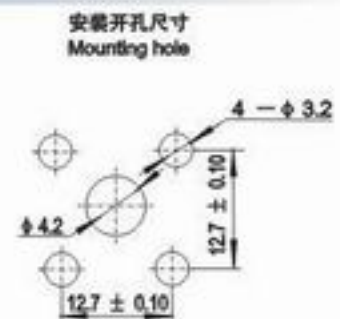
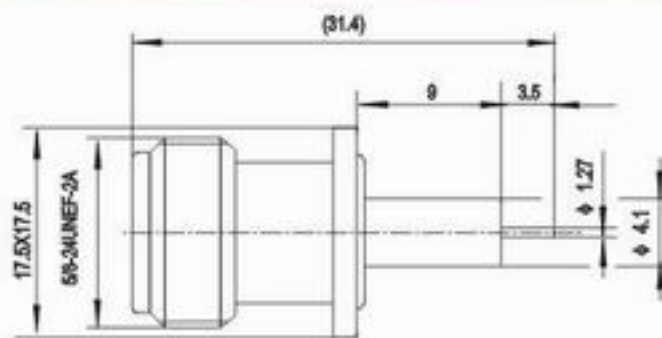
# SRT

 升瑞科技  
SUNRISE-TECH

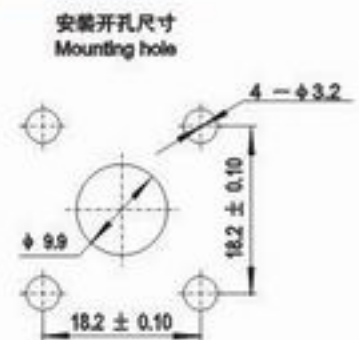
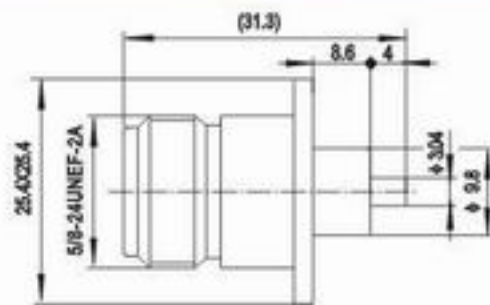
N-50KFD



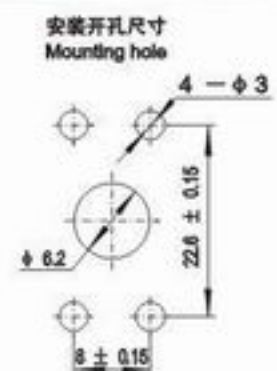
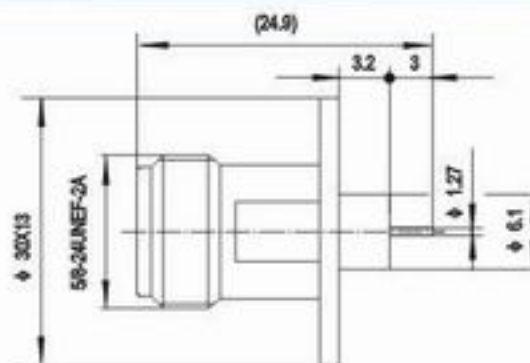
N-50KFD1



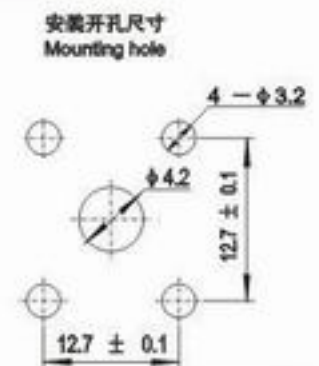
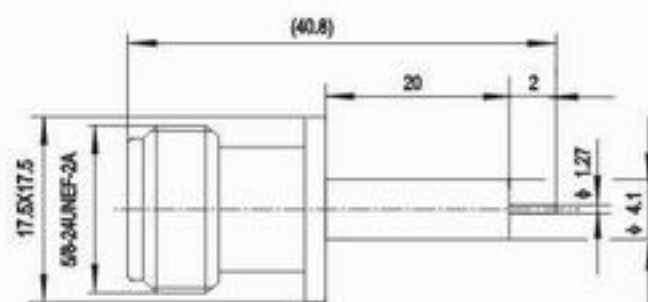
N-50KFD2



N-50KFD2A



N-50KFD3



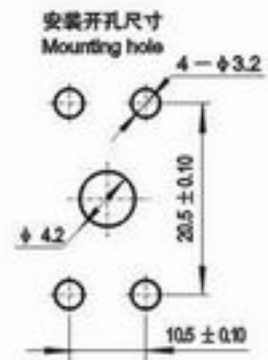
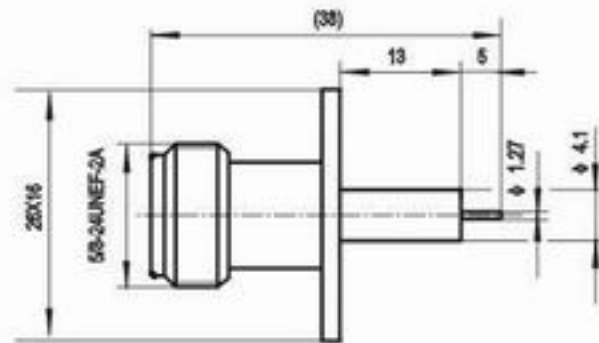
# N

系列射频同轴连接器  
SERIES N COAXIAL CONNECTORS

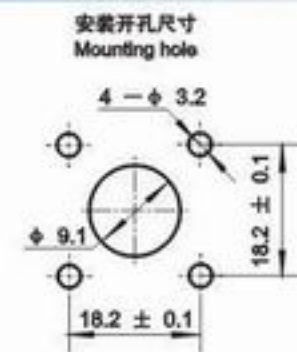
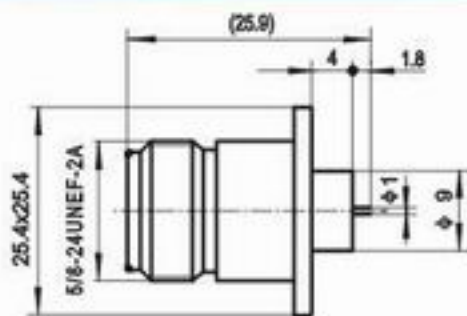
# SRT

 升瑞科技  
SUNRISE-TECH

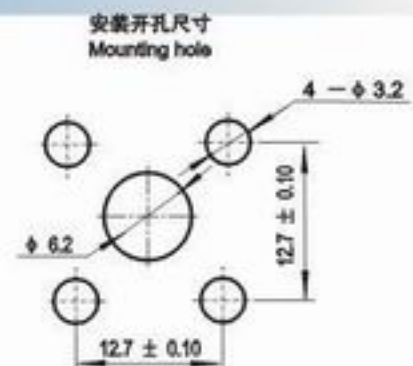
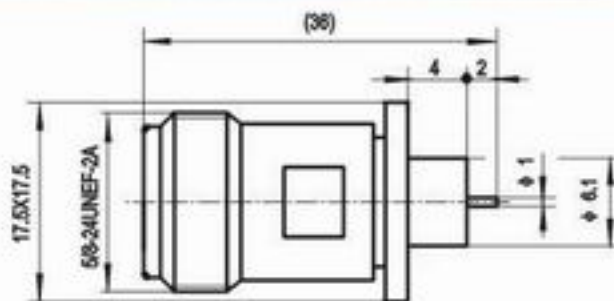
N-50KFD4



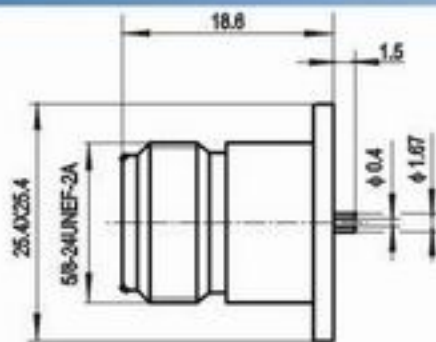
N-50KFD5



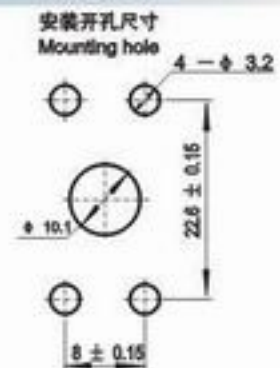
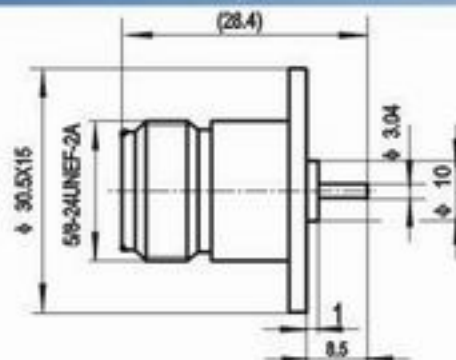
N-50KFD6



N-50KFD7



N-50KFD8



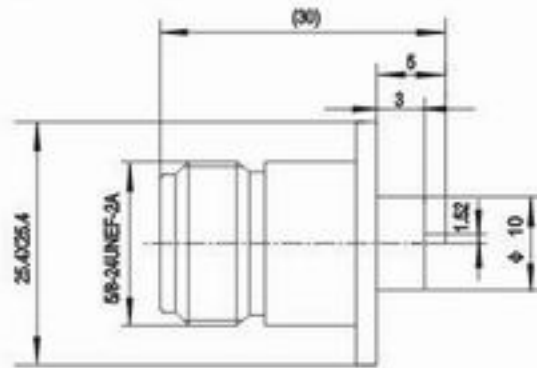
# N

系列射频同轴连接器  
SERIES N COAXIAL CONNECTORS

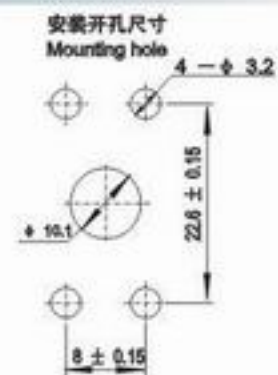
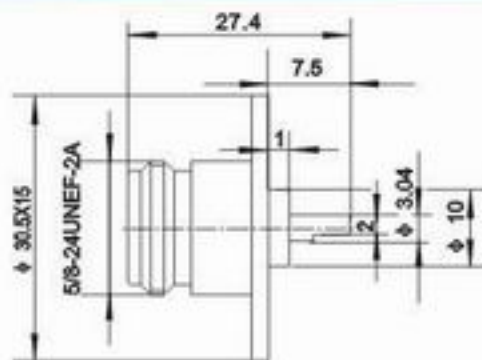
# SRT

 升瑞科技  
SUNRISE-TECH

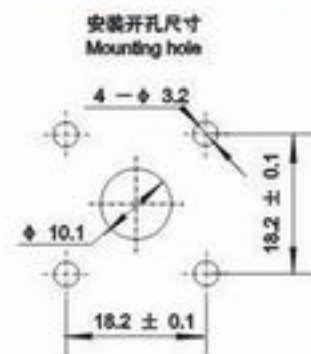
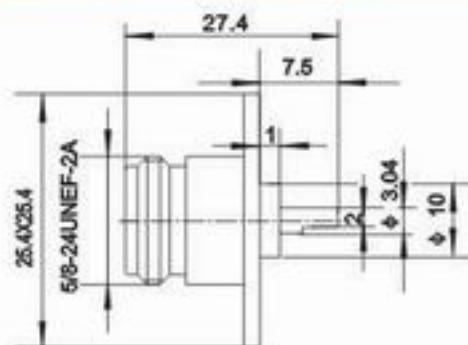
N-50KFD9



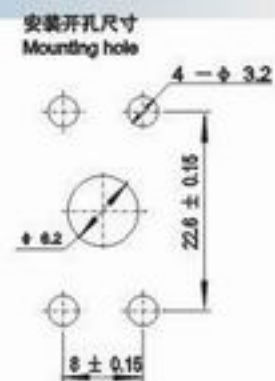
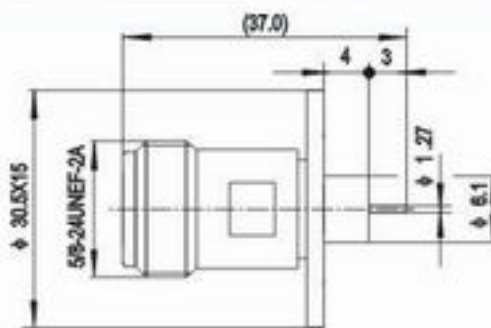
N-50KFD10



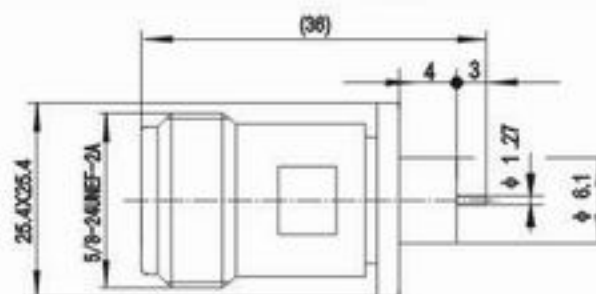
N-50KFD11



N-50KFD12



N-50KFD13





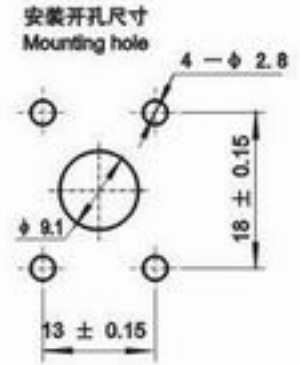
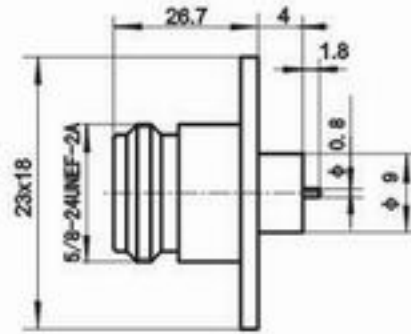
# N

系列射频同轴连接器  
SERIES N COAXIAL CONNECTORS

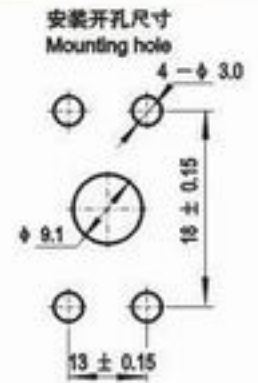
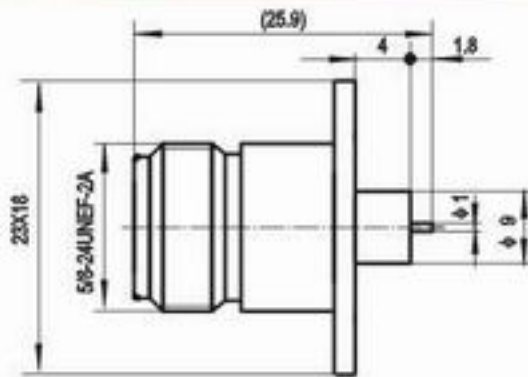
SRT 升瑞科技  
SUNRISE-TECH



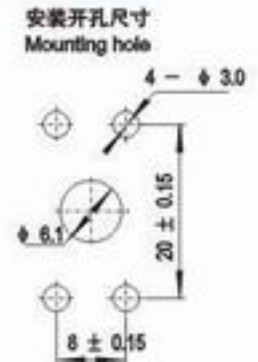
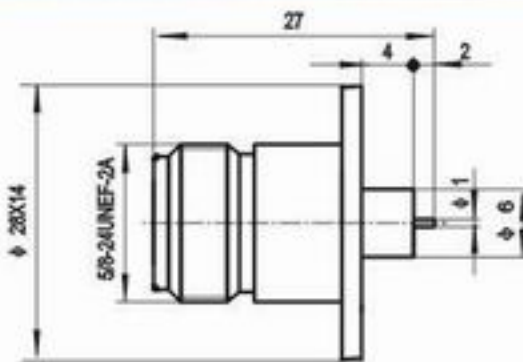
N-50KFD14



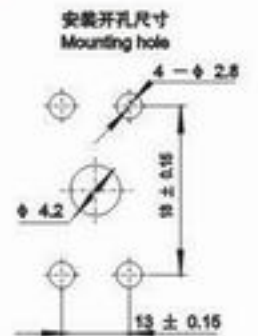
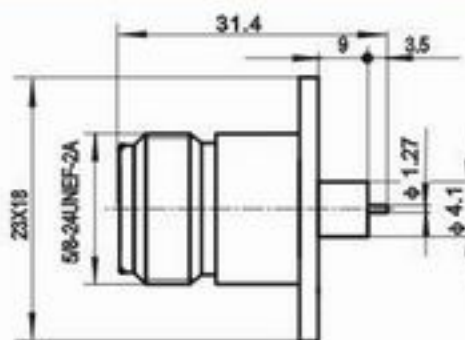
N-50KFD16



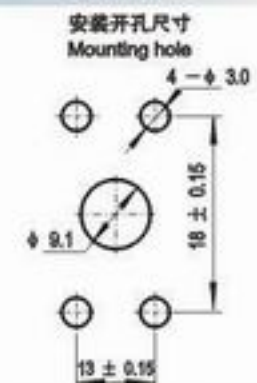
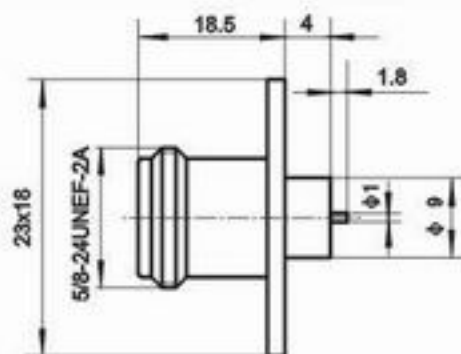
N-50KFD17



N-50KFD18



N-50KFD19



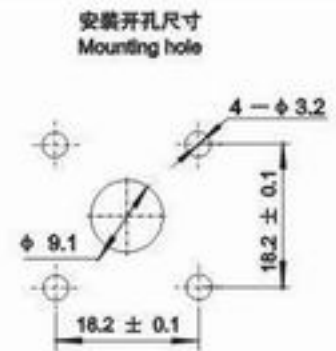
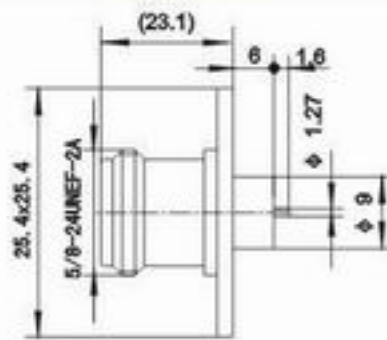
# N

系列射频同轴连接器  
SERIES N COAXIAL CONNECTORS

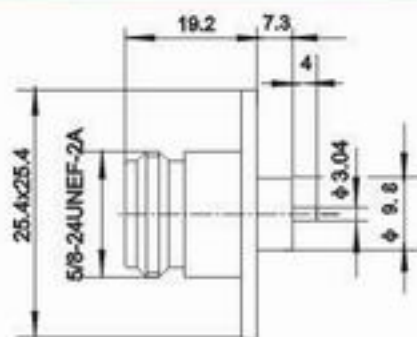
SRT 升瑞科技  
SUNRISE-TECH



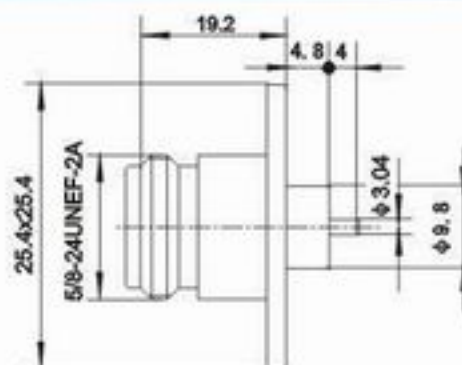
N-50KFD20



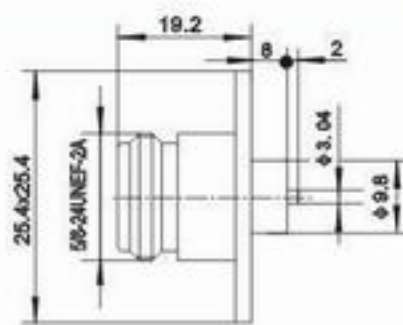
N-50KFD21



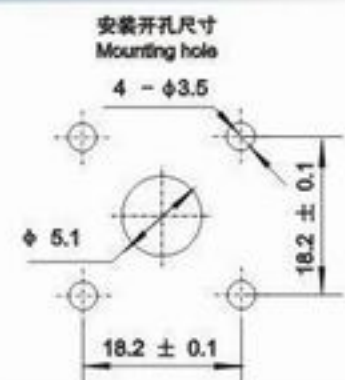
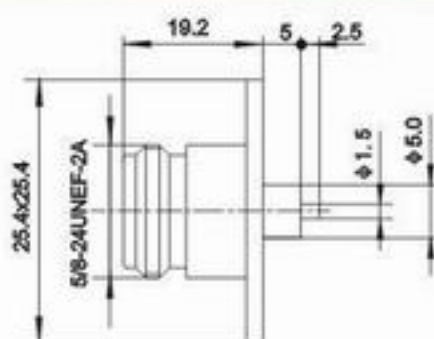
N-50KFD22



N-50KFD26



N-50KFD28



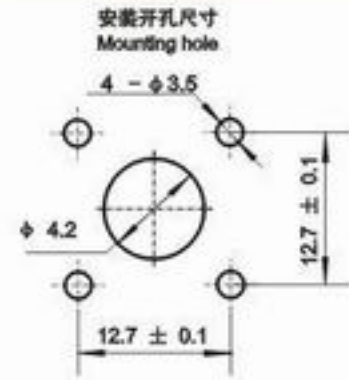
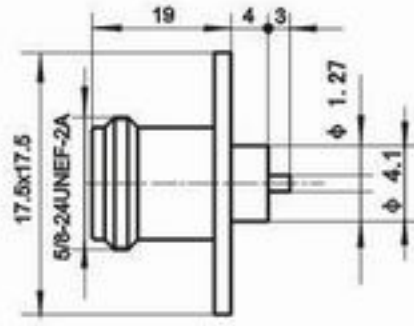
# N

系列射频同轴连接器  
SERIES N COAXIAL CONNECTORS

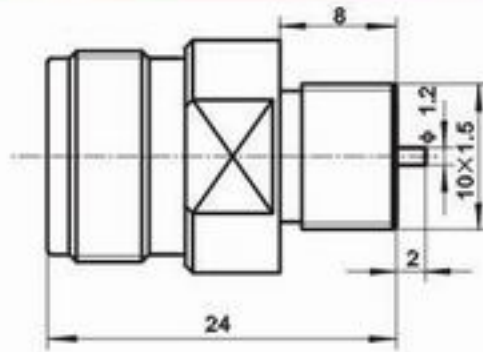
# SRT

 升瑞科技  
SUNRISE-TECH

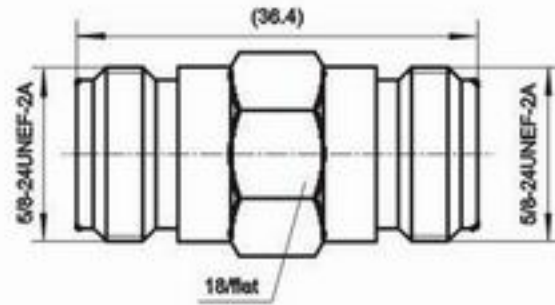
N-50KFD29



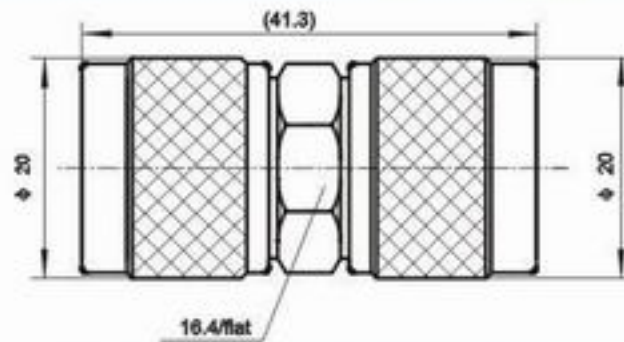
N-KD3



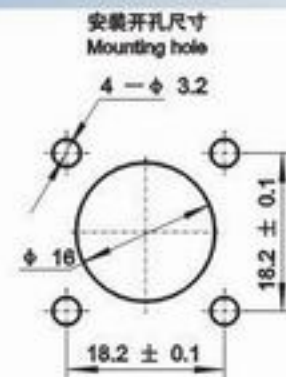
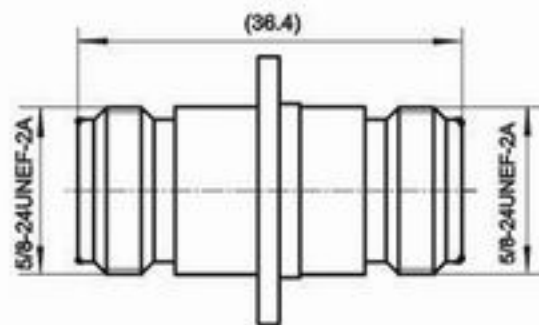
N-50KK



N-50JJ



N-50KKF



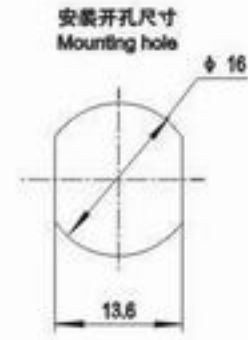
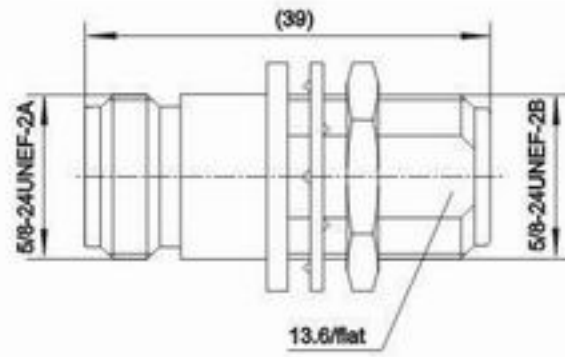
# N

系列射频同轴连接器  
SERIES N COAXIAL CONNECTORS

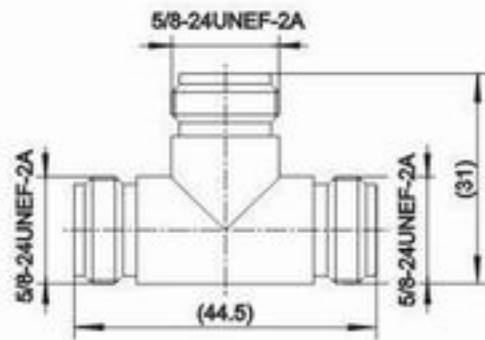
SRT 升瑞科技  
SUNRISE-TECH



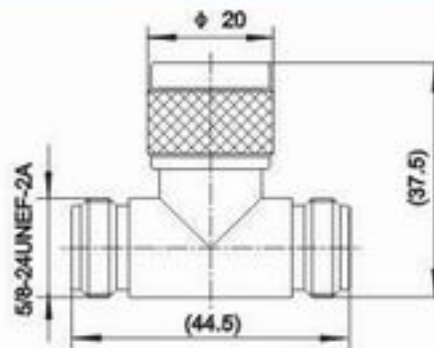
N-50KKY



N-50KKK



N-50KJK



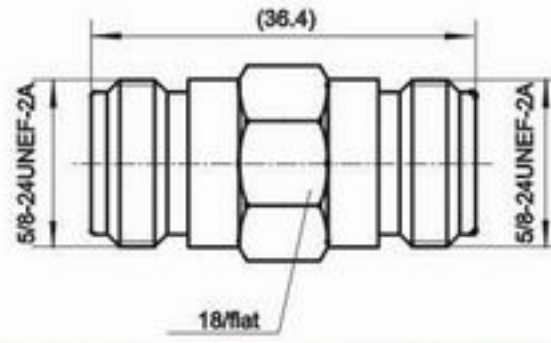
# N

系列射频同轴连接器  
SERIES N COAXIAL CONNECTORS

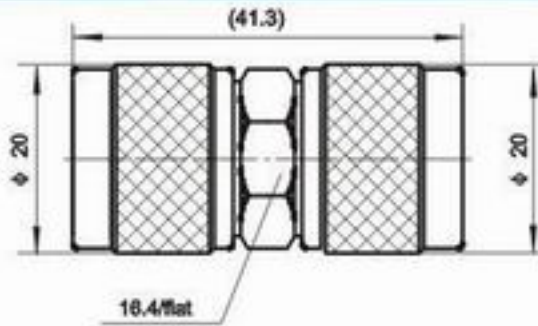
SRT 升瑞科技  
SUNRISE-TECH



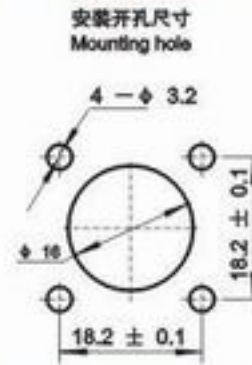
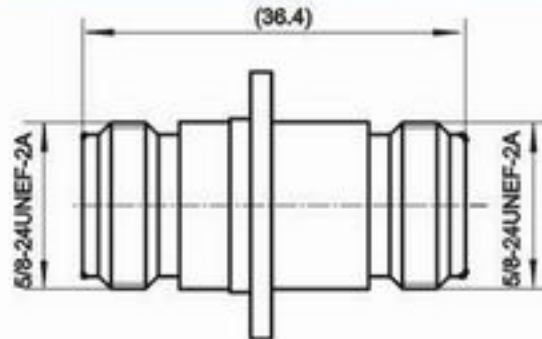
N-75KK



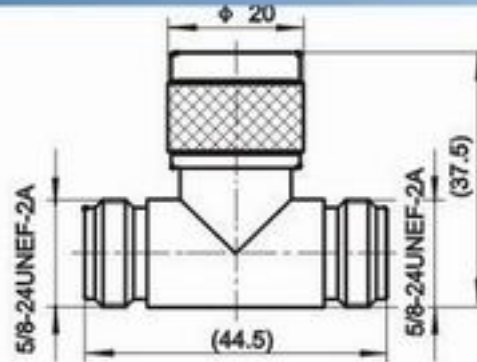
N-75JJ



N-75KKF



N-75KJK



N-75KKY

